
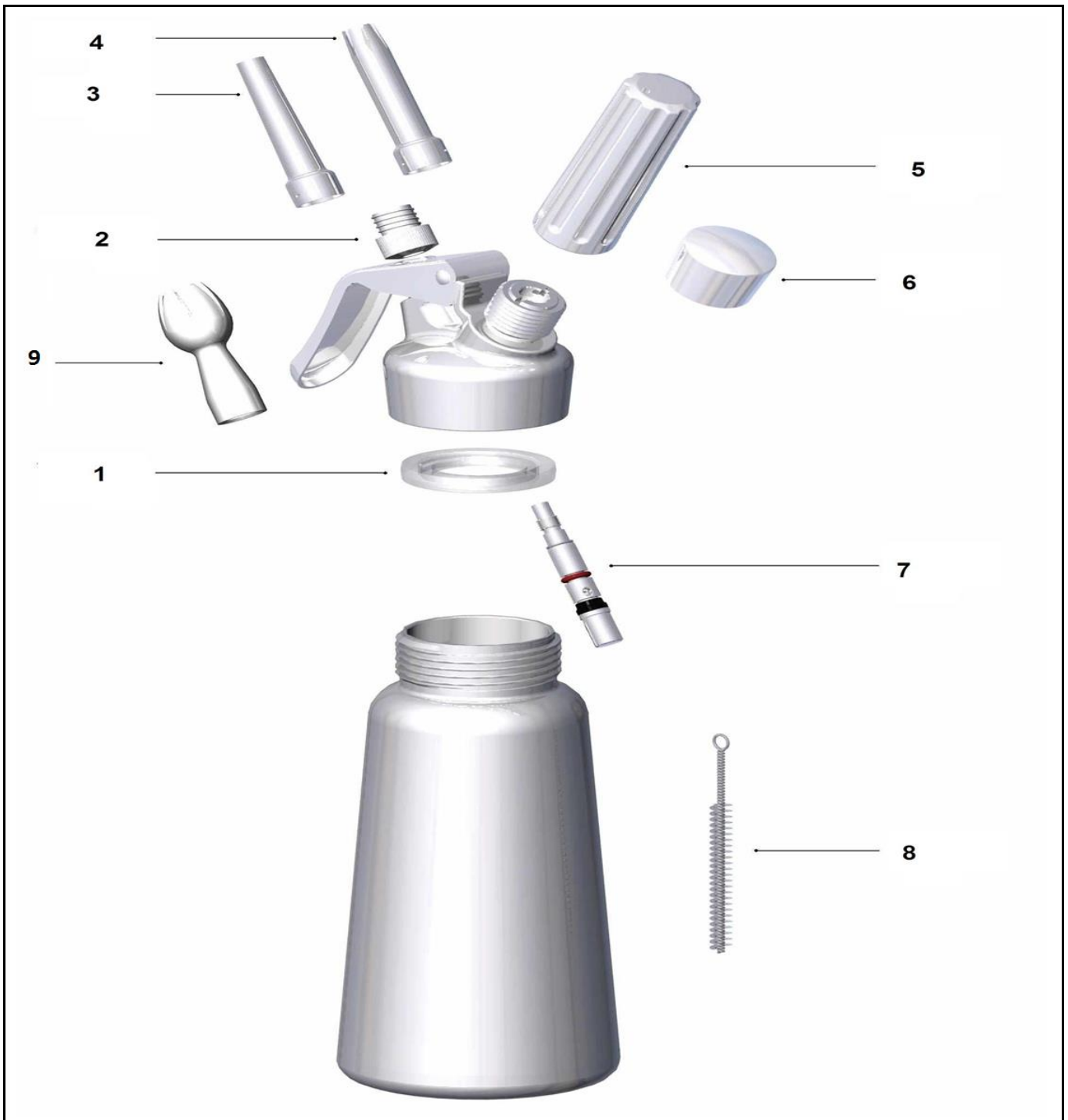



Drawing

 HENDI FOOD SERVICE EQUIPMENT Hendi B.V. Steenoven 21 3911 TX Rhenen The Netherlands	Batch #	Appliance part#
	300123 and up	588017
	Description	
	Whipped cream maker 0,5L	

Date	20-11-2013	Revision #	Revision version
Revision	New supplier		



Bill of materials (BOM)

 HENDI <small>FOOD SERVICE EQUIPMENT</small> Hendi B.V. Steenoven 21 3911 TX Rhenen The Netherlands	Batch #	Appliance part#
	300123 and up	588017
	Description	
Whipped cream maker 0,5L		

Date	20-11-2013	Revision #	Revision version
Revision	New supplier		

Item	Description	Part#	Quantity	Remark	Picture
1	Gasket	nss	1	Available as 589205	
2	Nozzle adapter	nss	1	Available as 589205	
3	Nozzle flat	nss	1	Available as 589205	
4	Nozzle straight	nss	1	Available as 589205	
5	Charger holder	nss	1	Available as 589205	
6	Cap	n/a	1		
7	Piston stainless steel	nss	1	Available as 589205	
8	Brush	nss	1	Available as 589205	
9	Nozzle Tulip	nss	1	Available as 589205	
	Repair set	589205	1	Incl item 1,2,3,4,5,7,8 and 9	

n/a -> not available

nss -> not sold separately